

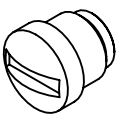
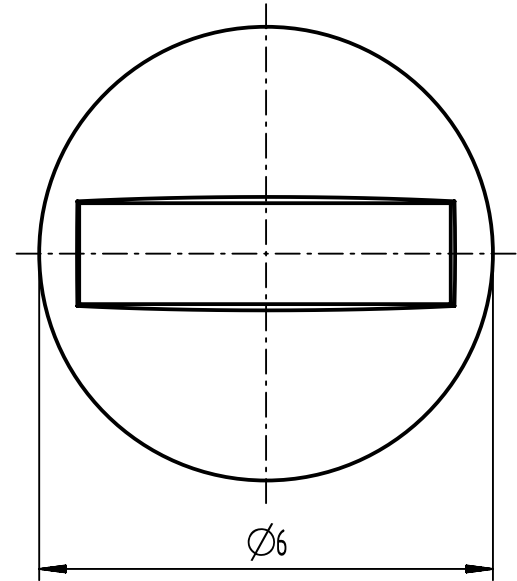
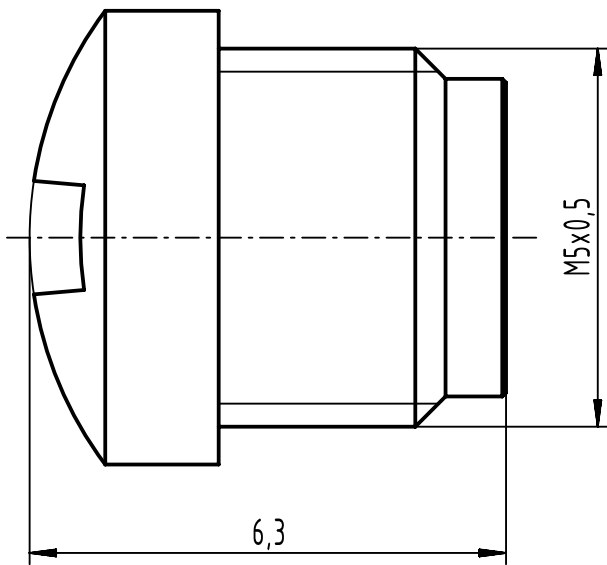
1 2 3 4 5 6


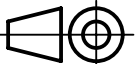
A

B

C

D



	All rights reserved Department EL PD	Created by EISFELD	Inspected by 104.122	Standardisation SAP_WFRT	Date 2022-06-21	State Final Release
		Title M5-ACC-PLASTICCAP		Doc-Key / ECM-Nr. 101011740/UGD/000/A 500000219539		
HARTING D-32339 Espelkamp		Type TB	Number 214 70000012		Rev. A	Page 1/1
 All Dimensions in mm Original Size DIN A4		Scale 10:1	Free size tol.		Ref.	Sub.